

Write your name here

Surname	Other names
---------	-------------

Pearson Edexcel
Level 1/Level 2 GCSE (9 - 1)

Centre Number	Candidate Number
<input type="text"/>	<input type="text"/>

Mathematics

Paper 3 (Calculator)

Foundation Tier

Sample Assessment Materials - Issue 2 Time: 1 hour 30 minutes	Paper Reference 1MA1/3F
---	-----------------------------------

You must have: Ruler graduated in centimetres and millimetres, protractor, pair of compasses, pen, HB pencil, eraser, calculator.

Total Marks

Instructions

- Use **black** ink or ball-point pen.
- **Fill in the boxes** at the top of this page with your name, centre number and candidate number.
- Answer **all** questions.
- Answer the questions in the spaces provided – *there may be more space than you need.*
- **Calculators may be used.**
- If your calculator does not have a π button, take the value of π to be 3.142 unless the question instructs otherwise.
- Diagrams are **NOT** accurately drawn, unless otherwise indicated.
- You must **show all your working out.**



Information

- The total mark for this paper is 80
- The marks for **each** question are shown in brackets – *use this as a guide as to how much time to spend on each question.*

Advice

- Read each question carefully before you start to answer it.
- Keep an eye on the time.
- Try to answer every question.
- Check your answers if you have time at the end.

Turn over ►

S48575A

©2015 Pearson Education Ltd.

6/4/7/14/16/16/16/



PEARSON

Answer ALL questions.

Write your answers in the spaces provided.

You must write down all the stages in your working.

- 1** Write 2148 correct to the nearest 100

.....

(Total for Question 1 is 1 mark)

- 2** (a) Simplify $8x - 3x + 2x$

.....

(1)

- (b) Simplify $4y \times 2y$

.....

(1)

(Total for Question 2 is 2 marks)

- 3** There are 6760 people at a rugby match.
3879 of the people are men.
1241 of the people are women.
 $\frac{1}{4}$ of the children are girls.

Work out how many boys are at the rugby match.

.....

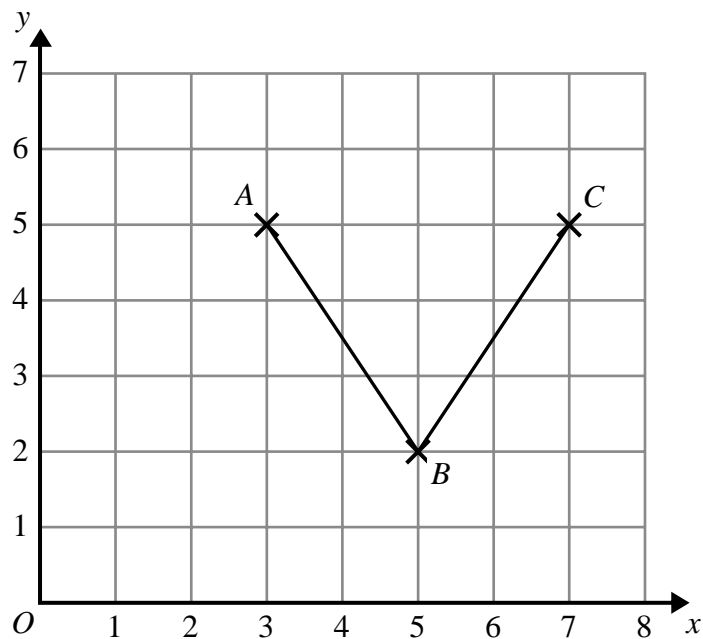
(Total for Question 3 is 3 marks)

DO NOT WRITE IN THIS AREA

DO NOT WRITE IN THIS AREA

DO NOT WRITE IN THIS AREA

- 4 Here is a grid showing the points A , B and C .



- (a) Write down the coordinates of the point A .

.....
(1)

- (b) On the grid, mark with a cross (\times) the point $(1, 2)$.
Label this point D .

(1)

- (c) On the grid, mark with a cross (\times) a point E , so that the quadrilateral $ABCE$ is a kite.

(1)

(Total for Question 4 is 3 marks)

- 5 Faiza buys

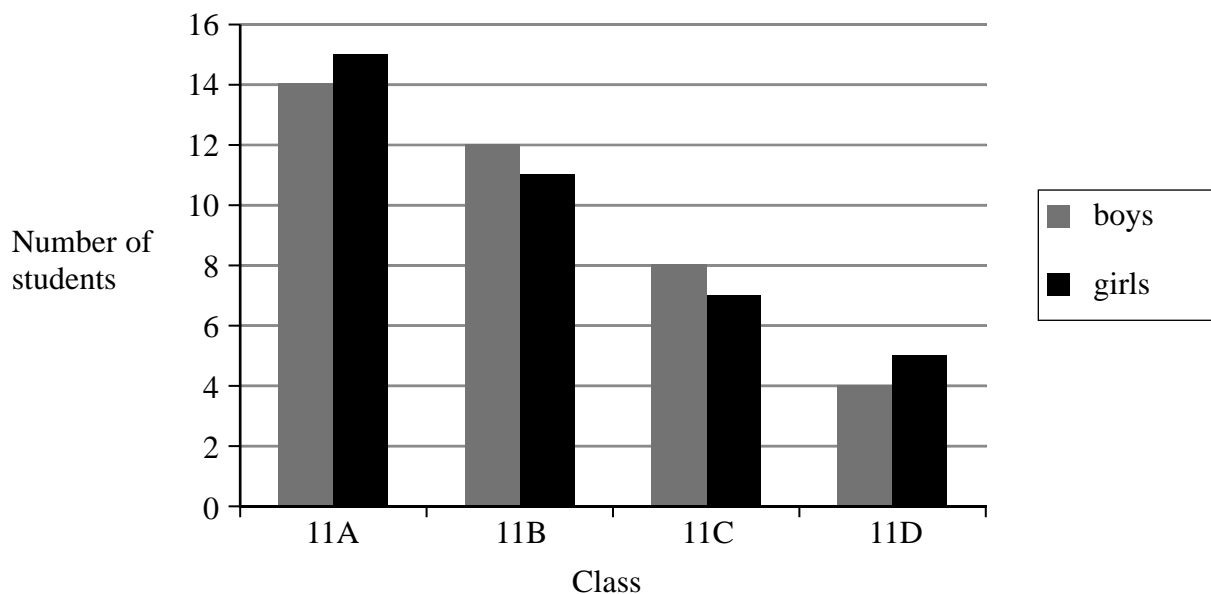
one magazine costing £2.30
one paper costing 92p
two identical bars of chocolate

Faiza pays with a £5 note.
She gets 40p change.

Work out the cost of **one** bar of chocolate.

.....
(Total for Question 5 is 3 marks)

- 6 The bar chart gives information about the numbers of students in the four Year 11 classes at Trowton School.



- (a) What fraction of the students in class 11A are girls?

.....
(2)

Shola says,

“There are more boys than girls in Year 11 in Trowton School.”

- (b) Is Shola correct?

You must give a reason for your answer.

.....
.....
(2)

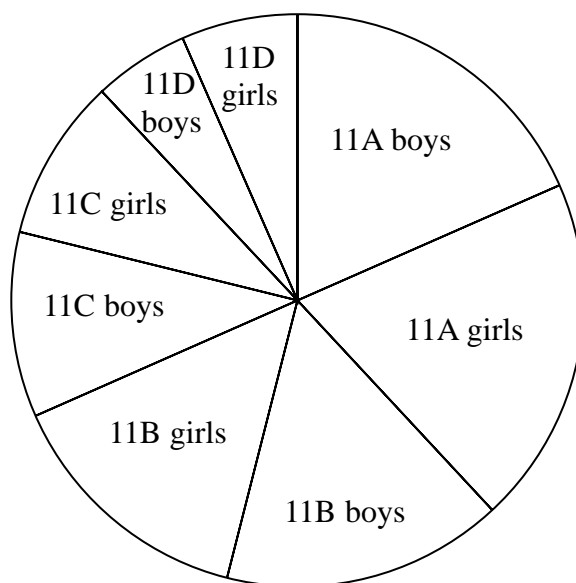
DO NOT WRITE IN THIS AREA

DO NOT WRITE IN THIS AREA

DO NOT WRITE IN THIS AREA

The pie chart gives information about the 76 students in the same four Year 11 classes at Trowton School.

Number of students in Year 11 of Trowton School



Tolu says,

“It is more difficult to find out the numbers of students in each class from the pie chart than from the bar chart.”

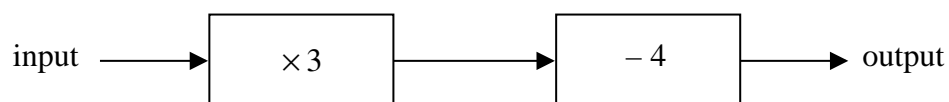
(c) Is Tolu correct?

You must give a reason for your answer.

(1)

(Total for Question 6 is 5 marks)

7 Here is a number machine.



DO NOT WRITE IN THIS AREA

DO NOT WRITE IN THIS AREA

DO NOT WRITE IN THIS AREA

(a) Work out the **output** when the input is 4

.....
(1)

(b) Work out the **input** when the output is 11

.....
(2)

(c) Show that there is a value of the input for which the input and the output have the same value.

(2)

(Total for Question 7 is 5 marks)

- 8 1 yard is 36 inches.
10 cm is an approximation for 4 inches.

Work out an approximation for the number of cm in 2 yards.

.....
(Total for Question 8 is 3 marks)

- 9 Work out 234% of 150

.....
(Total for Question 9 is 2 marks)

10 Here are four numbers.

0.43 $\frac{3}{7}$ 43.8% $\frac{7}{16}$

Write these numbers in order of size.
Start with the smallest number.

.....
(Total for Question 10 is 2 marks)

11 Here is a list of five numbers.

14 15 16 17 18

From the list,

(i) write down the prime number,

(ii) write down the square number.

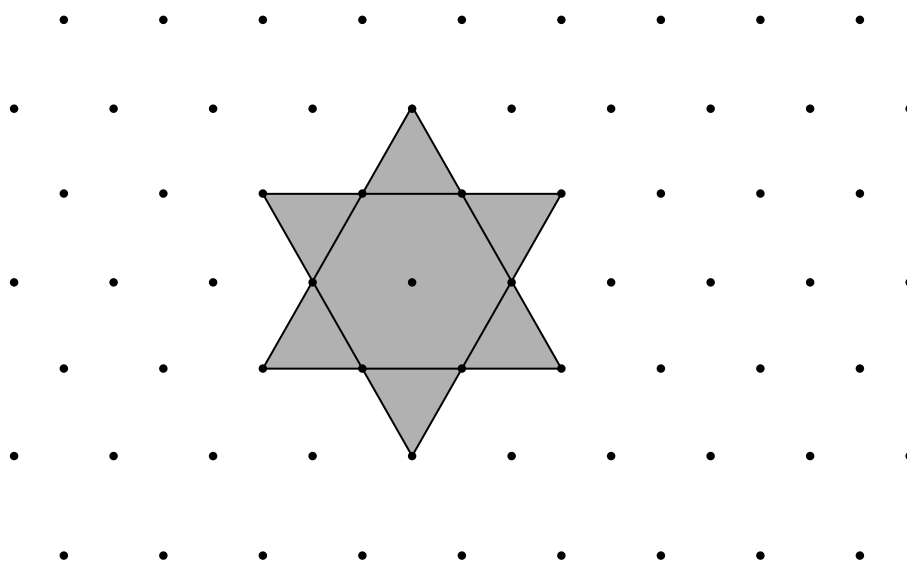
.....
(Total for Question 11 is 2 marks)

DO NOT WRITE IN THIS AREA

DO NOT WRITE IN THIS AREA

DO NOT WRITE IN THIS AREA

12 Here is a star shape.



The star shape is made from a regular hexagon and six congruent equilateral triangles.

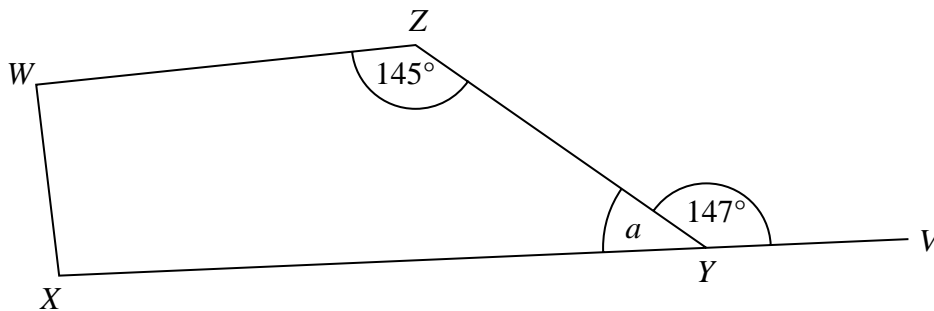
The area of the star shape is 96 cm^2 .

Work out the area of the regular hexagon.

..... cm^2

(Total for Question 12 is 2 marks)

13



$WXYZ$ is a quadrilateral.
 XYV is a straight line.

(a) (i) Find the size of the angle marked a .

.....
 °

(ii) Give a reason for your answer.

.....
 (2)

Angle $ZWX =$ angle WXY

(b) Work out the size of angle ZWX .

.....
 (2)

(Total for Question 13 is 4 marks)

DO NOT WRITE IN THIS AREA

DO NOT WRITE IN THIS AREA

DO NOT WRITE IN THIS AREA

- 14 The total weight of 3 tins of beans and 4 jars of jam is 2080 g.
The total weight of 5 tins of beans is 2000 g.

Work out the weight of 1 tin of beans and the weight of 1 jar of jam.

tin of beans..... g

jar of jam..... g

(Total for Question 14 is 4 marks)

DO NOT WRITE IN THIS AREA

DO NOT WRITE IN THIS AREA

DO NOT WRITE IN THIS AREA

15 There are 25 boys and 32 girls in a club.

$\frac{2}{5}$ of the boys and $\frac{1}{2}$ of the girls walk to the club.

The club leader picks at random a child from the children who walk to the club.

Work out the probability that this child is a boy.

.....
(Total for Question 15 is 3 marks)

DO NOT WRITE IN THIS AREA

DO NOT WRITE IN THIS AREA

DO NOT WRITE IN THIS AREA

16 Change 72 km/h into m/s.

.....m / s

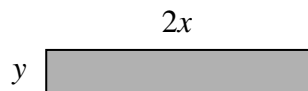
(Total for Question 16 is 3 marks)

DO NOT WRITE IN THIS AREA

DO NOT WRITE IN THIS AREA

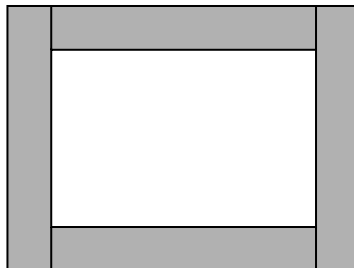
DO NOT WRITE IN THIS AREA

17 Here is a rectangle made of card.



The measurements in the diagram are in centimetres.

Lily fits four of these rectangles together to make a frame.



The perimeter of the inside of the frame is P cm.

(a) Show that $P = 8x - 4y$

(2)

Magda says,

“When x and y are whole numbers, P is always a multiple of 4.”

(b) Is Magda correct?

You must give a reason for your answer.

(2)

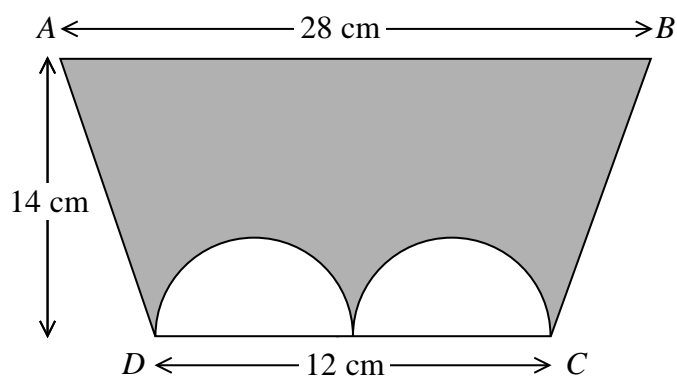
(Total for Question 17 is 4 marks)

DO NOT WRITE IN THIS AREA

DO NOT WRITE IN THIS AREA

DO NOT WRITE IN THIS AREA

18 The diagram shows a trapezium $ABCD$ and two identical semicircles.



The centre of each semicircle is on DC .

Work out the area of the shaded region.

Give your answer correct to 3 significant figures.

..... cm^2

(Total for Question 18 is 4 marks)

19 Asif is going on holiday to Turkey.

The exchange rate is $\text{£}1 = 3.5601$ lira.

Asif changes $\text{£}550$ to lira.

- (a) Work out how many lira he should get.
Give your answer to the nearest lira.

..... lira
(2)

Asif sees a pair of shoes in Turkey.
The shoes cost 210 lira.

Asif does not have a calculator.

He uses $\text{£}2 = 7$ lira to work out the approximate cost of the shoes in pounds.

- (b) Use $\text{£}2 = 7$ lira to show that the approximate cost of the shoes is $\text{£}60$

(2)

- (c) Is using $\text{£}2 = 7$ lira instead of using $\text{£}1 = 3.5601$ lira a sensible start to Asif's method to work out the cost of the shoes in pounds?

You must give a reason for your answer.

.....
.....
(1)

(Total for Question 19 is 5 marks)

DO NOT WRITE IN THIS AREA

DO NOT WRITE IN THIS AREA

DO NOT WRITE IN THIS AREA

20 Here are the first six terms of a Fibonacci sequence.

1 1 2 3 5 8

The rule to continue a Fibonacci sequence is,

the next term in the sequence is the sum of the two previous terms.

(a) Find the 9th term of this sequence.

.....
(1)

The first three terms of a different Fibonacci sequence are

a b $a + b$

(b) Show that the 6th term of this sequence is $3a + 5b$

(2)

Given that the 3rd term is 7 and the 6th term is 29,

(c) find the value of a and the value of b .

$a =$

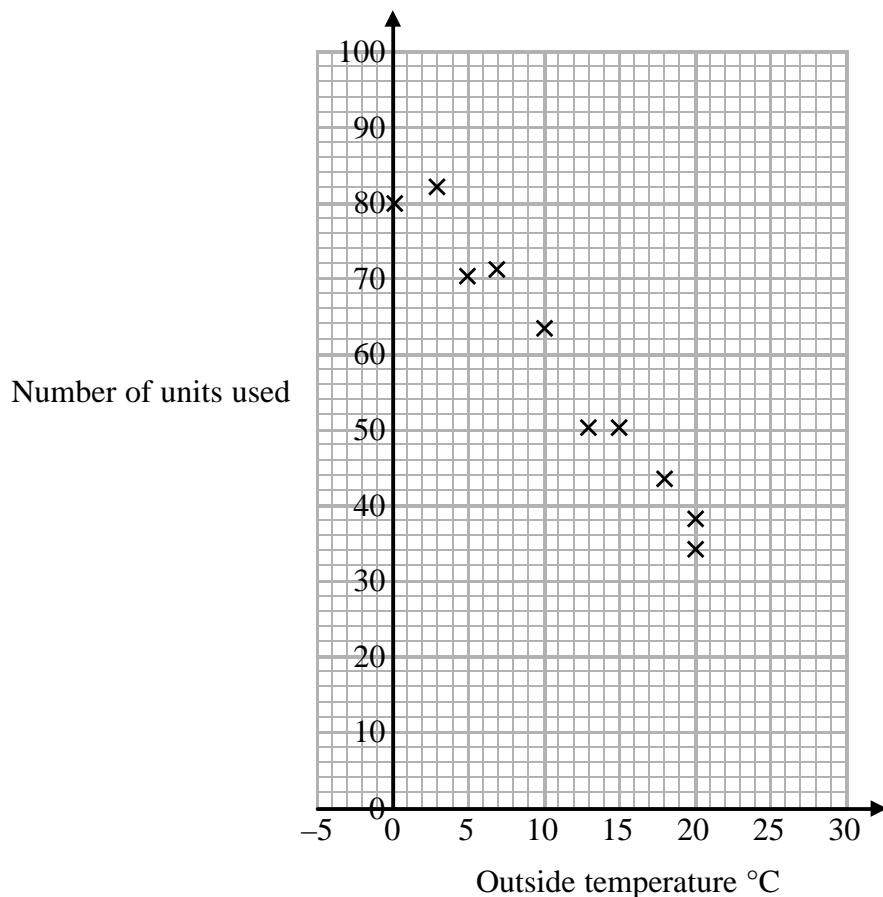
$b =$

(3)

(Total for Question 20 is 6 marks)

21 In a survey, the outside temperature and the number of units of electricity used for heating were recorded for ten homes.

The scatter diagram shows this information.



Molly says,

“On average the number of units of electricity used for heating decreases by 4 units for each °C increase in outside temperature.”

- (a) Is Molly right?
Show how you get your answer.

(3)

- (b) You should **not** use a line of best fit to predict the number of units of electricity used for heating when the outside temperature is 30°C.

Give one reason why.

(1)

(Total for Question 21 is 4 marks)

DO NOT WRITE IN THIS AREA

DO NOT WRITE IN THIS AREA

DO NOT WRITE IN THIS AREA

22 Henry is thinking of having a water meter.

These are the two ways he can pay for the water he uses.

Water Meter

A charge of £28.20 per year

plus

91.22p for every cubic metre of water used

1 cubic metre = 1000 litres

No Water Meter

A charge of £107 per year

Henry uses an average of 180 litres of water each day.

Use this information to determine whether or not Henry should have a water meter.

(Total for Question 22 is 5 marks)

23 A and B are two companies.

The table shows some information about the sales of each company and the number of workers for each company in 2004 and in 2014

	Company A		Company B	
	Sales (£ millions)	Number of workers	Sales (£ millions)	Number of workers
2004	320	2960	48	605
2014	388	3200	57	640

(a) Work out the percentage increase in sales from 2004 to 2014 for Company A.

..... %

(2)

(b) Which company had the most sales per worker in 2014, Company A or Company B?
You must show how you get your answer.

(3)

(Total for Question 23 is 5 marks)

TOTAL FOR PAPER IS 80 MARKS

DO NOT WRITE IN THIS AREA

DO NOT WRITE IN THIS AREA

DO NOT WRITE IN THIS AREA